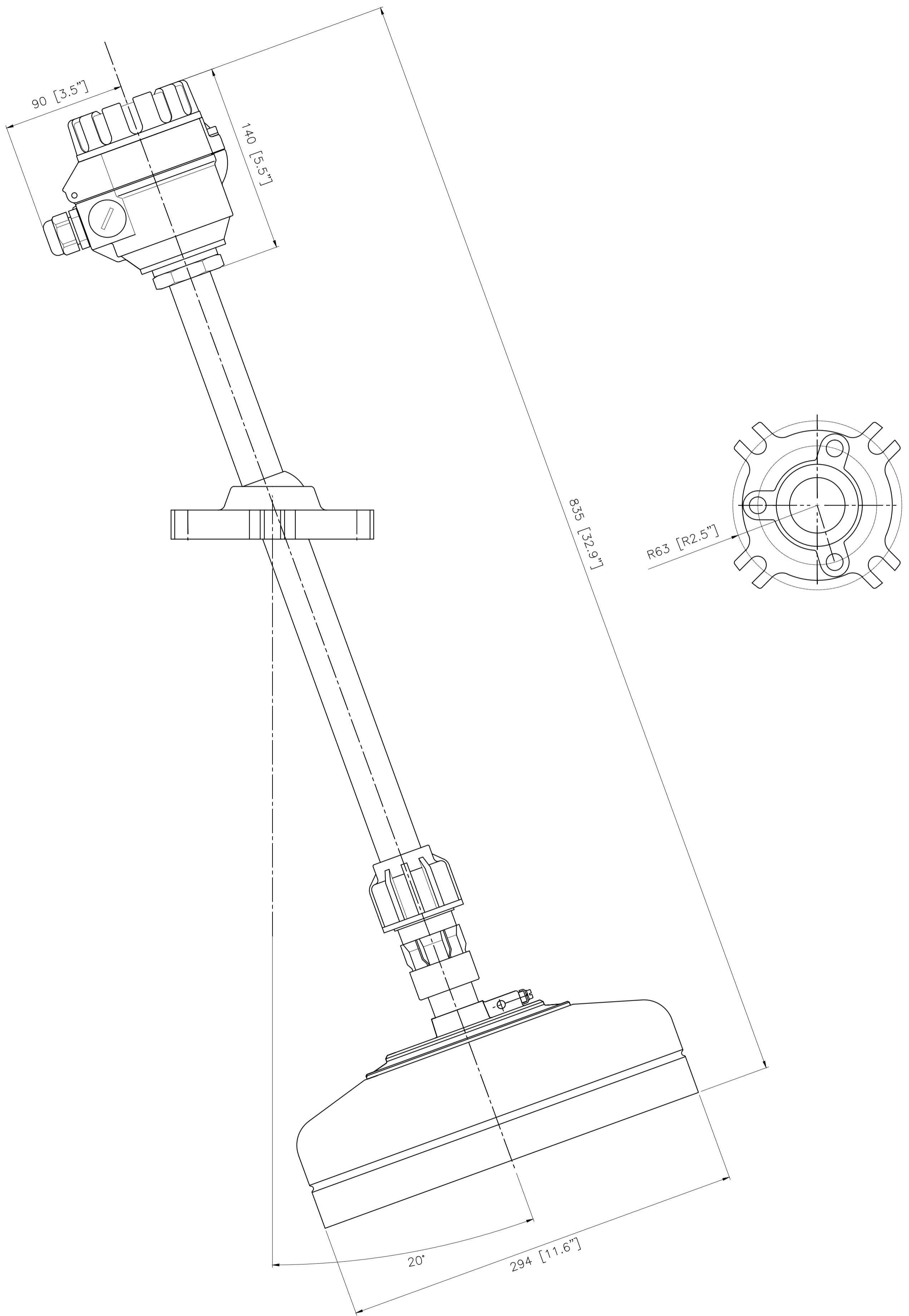


This drawing remains property of Nivelco Control Co. It may be neither copied nor informed to third persons or competitors without our approval.



NIVELCO
 Process Control Co.
 H-1043 BUDAPEST,
 DUGONICS U. 11.
 www.nivelco.com

Description:
 Echo TREK SBD/STD-300 Ex.
 Ultrasonic compact level transmitter, Alu. housing
 Alu. transducer, 15 kHz

Scale:	Size of origin:
1:2	A2
Revision: 0	Date: 2014.07.01
Drawing No.	
SBD/STD-31J Ex.	