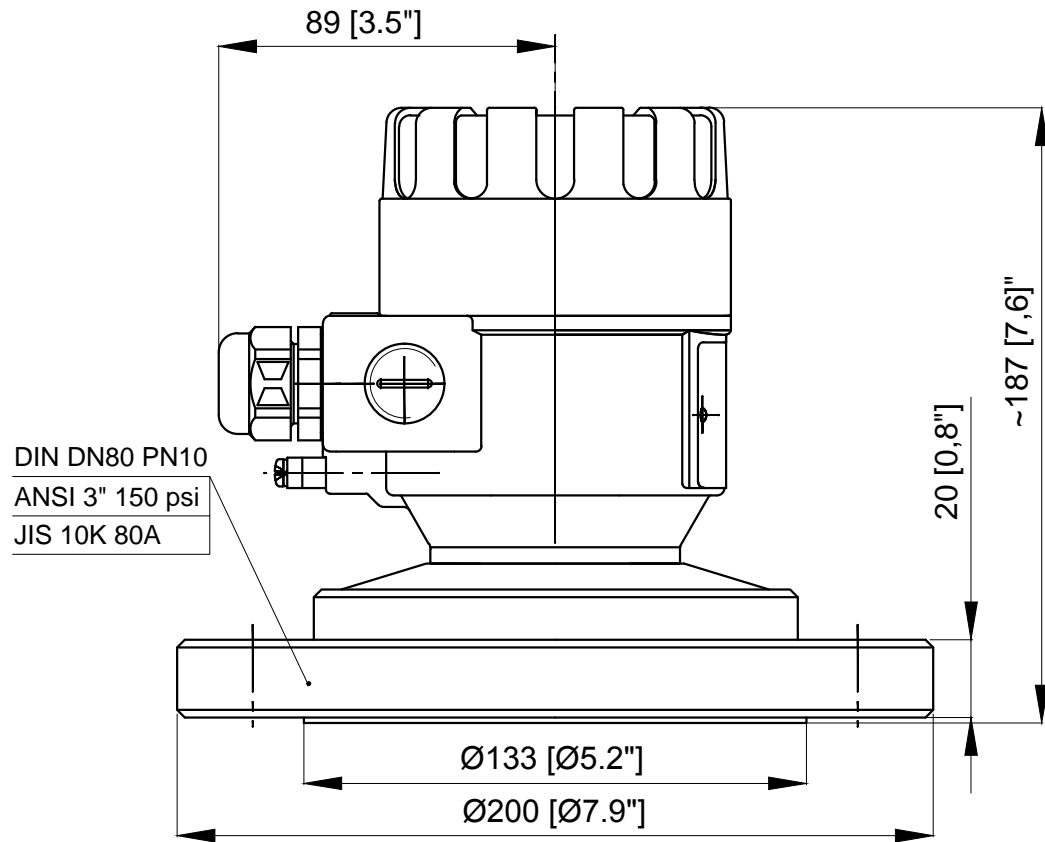


This drawing remains property of Nivelco Control Co. it may be neither copied nor informed to third persons or competitors without our approval.



NIVELCO

Process Control Co.
H-1043 BUDAPEST,
DUGONICS U. 11.
www.nivelco.com

Description:

EchoTREK SB/ST-400
Ultrasonic compact level transmitter, plast. housing
Plasctic transducer, st. steel membrane, 60 kHz

| | |
|-------------|------------------|
| Scale: | Size of origin: |
| 1:2 | A4 |
| Revision: 0 | Date: 2014.07.14 |
| Drawing No. | |
| SBM/STM-46_ | |