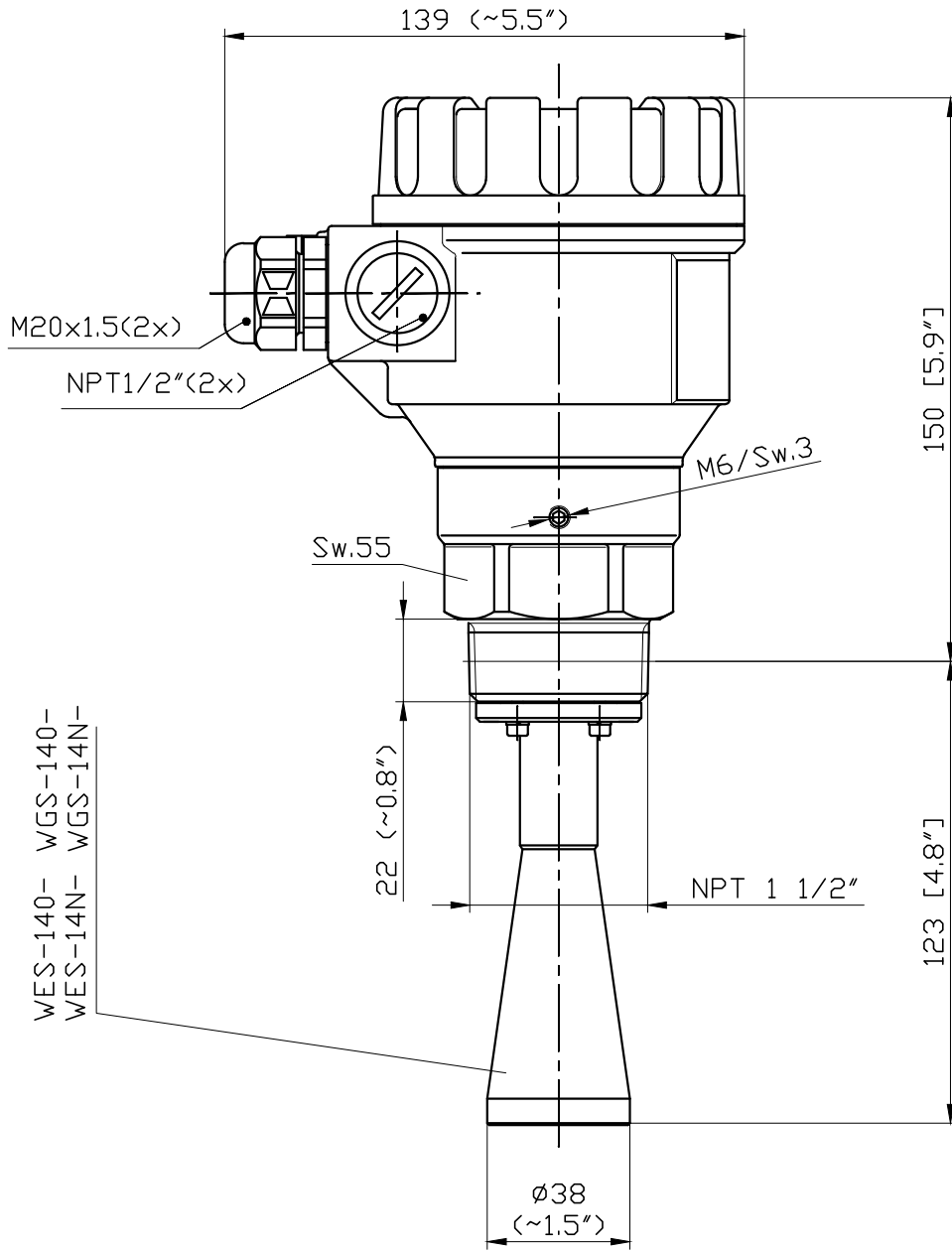


This drawing remains property of Nivelco Control Co. it may be neither copied nor informed to third persons or competitors without our approval.



NIVELCO

Process Control Co.
H-1043 BUDAPEST,
DUGONICS U. 11.

www.nivelco.com

Description:

PiloTREK W-100
Aluminiumhousing 1 1/2"
with st. steel horn antenna

Scale:

M1:2

Revision: 1

Drawing No.

WES/WGS-14N

Size of origin:

A4

Date:08.2013