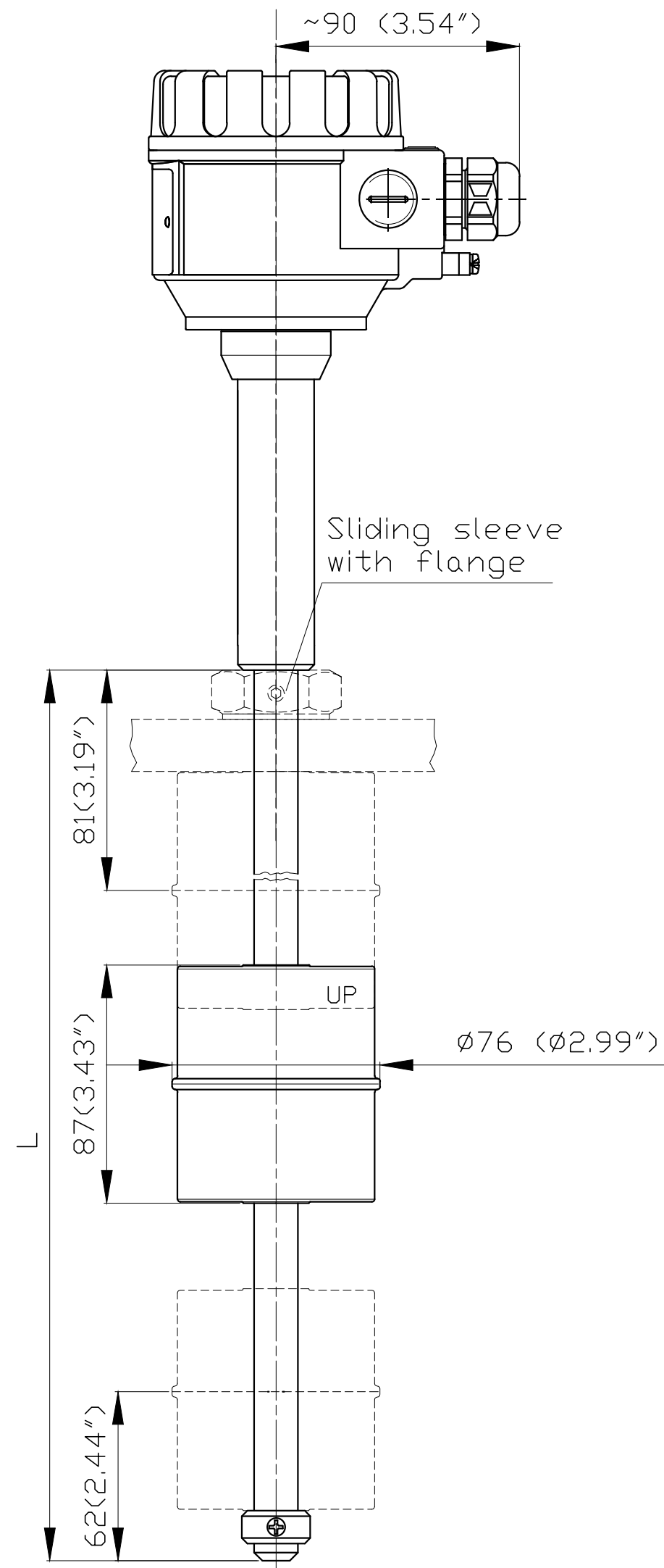
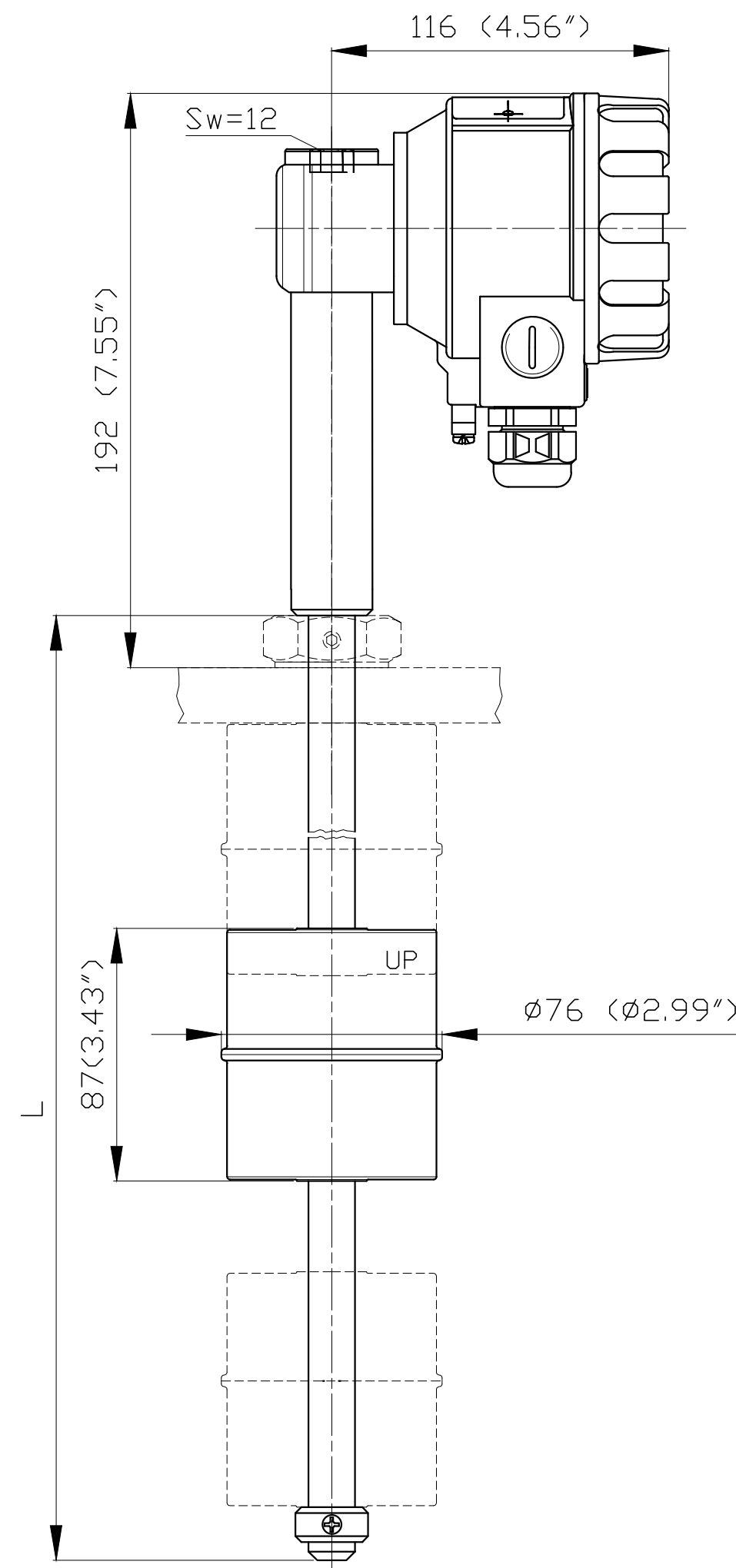


Position "A"



Position "B"



This drawing remains property of Nivelco Control Co. it may be neither copied nor informed to third persons or competitors without our approval.

NIVELCO
 Process Control Co.
 H-1043 BUDAPEST,
 DUGONICS U. 11.
 www.nivelco.com

Description:
 NIVOTRACK M-600
 Magnetostrictive Lev. Transmitter, Plastic H
 plast. coated rigid tube s. without proc. c.

Scale:	Size of origin:
M1:2	A2
Revision: 1	Date: 01.2014
Drawing No.	
MEU/MGU-6__	