

MicroTREK

GUIDED MICROWAVE LEVEL TRANSMITTERS
FOR LIQUIDS & SOLIDS



5 YEARS WARRANTY

TIVELCO

LEVEL TRANSMITTERS

Our newly developed **MicroTREK HT-700** guided microwave level transmitter is designed for the continuous level measurement of conductive and non-conductive liquids, pulps, and solids. The measuring speed of the new **MicroTREK HT-700** is almost ten times that of its predecessor, the HT-700's measuring dead zone is significantly smaller, and its maximum measuring distance is longer! Furthermore, the power supply range of the device has been expanded.

OPERATING PRINCIPLE

Its level gauge operates based on measuring the travel time of impulse reflections (*TDR – Time Domain Reflectometry*). The electronic module generates microwave impulses in the sensor, which travel at the speed of light. Part of the impulse energy is reflected from the surface depending on the material. The reflected signal's travel time is measured and processed by the module's electronics, and then it is converted to a volume-proportional level-proportional signal. Reflections depend heavily on the medium's dielectric constant (ϵ_r), which must be at least 1.4 for successful measurement. The propagation speed of microwave impulses in a vacuum, air, and other gases is virtually the same; distance measurement is therefore independent of the medium within the given limits.

FEATURES

- Measuring range up to 30 m (98.5 ft)
- Tracking speed: 900 m/h (= 25 cm/s) (2950 ft/h [= 10 inch/s])
- Accuracy: ± 5 mm (± 0.4 "
- Measurement is independent of medium's dielectric constant, temperature, pressure and density
- Rod, cable, or coaxial probe
- Segmented rod probe version
- Lowest $\epsilon_r \geq 1.4$
- 2-wire version
- Graphic display
- Advanced threshold management
- False echo suppression
- Probe Correction Table (SCT)
- 4...20 mA + HART® output + relay (optional)
- Highest process pressure: 40 bar (580 psi)
- IP67 protection
- 5 years warranty

CERTIFICATES

- | | |
|---------------------|------------------------|
| ■ ATEX (Ex ia G) | ■ INMETRO (Ex ia G) |
| ■ ATEX (Ex ia D) | ■ INMETRO (Ex ia D) |
| ■ ATEX (Ex ta/tb D) | ■ UKCA Ex (Ex ia G) |
| ■ IEC Ex (Ex ia G) | ■ UKCA Ex (Ex ia D) |
| ■ IEC Ex (Ex ia D) | ■ UKCA Ex (Ex ta/tb D) |



HTD-730

HTK-700

APPLICATIONS

Mono cable / Mono rod Mono segmented rod	Twin cable	Twin rod	Coaxial pipe
<ul style="list-style-type: none"> ■ Cement, limestone, fly ash, alumina, soot ■ All high-viscosity liquids ■ Mineral powders ■ Clean and contaminated liquids ■ For stilling wells (calibration required) ■ With plastic-coated probe for aggressive substances ■ Slightly conductive foams ■ High-temperature applications ■ Bypass applications 	<ul style="list-style-type: none"> ■ Tank parks with solvents, oil and fuels ■ Water storage tanks ■ Plastic granules ■ For products with low dielectric constant ($\epsilon_r > 1.8$) ■ For any liquids, light granules ■ For narrow tanks ■ Where minimum dead zone is needed ■ Mounting close to tank wall is possible 	<ul style="list-style-type: none"> ■ Plastic granules ■ Coated tanks ■ Clean and contaminated liquids ■ Fine powders ■ Where minimum dead zone is needed ■ For narrow tanks ■ For mediums with low dielectric constant and slightly moving products 	<ul style="list-style-type: none"> ■ Small vessels and tanks up to 6 m (20 ft) tall ■ Solvents, liquefied gases ■ LPG, LNG ■ For clean liquids with low dielectric constant ■ Agitated or flowing liquids – the probe acts as a stilling well ■ Liquid or vapor spray near the probe ■ Can be heated ■ Contact possible with metallic object or tank wall ■ Where no dead zone allowed

TECHNICAL DATA

Features		Version	Plastic housing	Aluminum housing	Stainless steel housing
Measured values			Distance, level; calculated values: volume, weight		
Measuring range			Depending on probe version and dielectric constant (ϵ_r) of the medium		
Probe versions			Mono cable, twin cable, mono rod, twin rod, coaxial pipe, segmented coaxial pipe and segmented rod		
Accuracy	Linearity error ⁽¹⁾		For liquids: ± 5 mm (± 0.2 "), if probe length ≥ 10 m (32 ft): $\pm 0.05\%$ of the probe length. For solids: ± 20 mm (± 0.75 "), if probe length ≥ 10 m (32 ft): $\pm 0.2\%$ of the probe length		
	Resolution		1 mm (0.04")		
Lowest ϵ_r of medium			1.4 (depending on probe version)		
Supply voltage			12 ⁽³⁾ ...36 V DC, nominal 24 V DC, Ex version: 12 ⁽³⁾ ...30 V DC, transient overvoltage protection		
Output	Communication		4...20 mA + HART®		
	Display (optional) ⁽²⁾		SAP-300 graphical display unit		
	Relay (optional)		SPDT 30 V / 1 A DC; 48 V / 0.5 A AC		
Process temperature			-30...+90 °C (-22...+194 °F); high-temperature version: -30...+200 °C (-22...+392 °F) For plastic-coated probes, see "Probe Properties"		
Highest process pressure			40 bar (580 psi); with plastic lined flange: max. 25 bar (363 psi); with coaxial pipe probe: max. 1.6 bar (232 psi)		
Ambient temperature			-30...+65 °C (-22...+149 °F), with display: -20...+65 °C (-4...+149 °F)		
Process connection			Threaded, flanged or sanitary connections (as per order code)		
Ingress protection			IP67		
Electrical connection			2x M20x1.5 cable glands + Two internally threaded 1/2" NPT connection for protective pipes, cable outer diameter: $\varnothing 6... \varnothing 12$ mm (00.23...00.47"), wire cross section: maximum 1.5 mm ² (AWG15)		
Electrical protection			Class III		
Housing material			Plastic (PBT)	Painted aluminum	Stainless steel (KO35)
Seal			FPM (Viton®), optional: FFKM (Kalrez®), EPDM		
Explosion protection			—	See "Ex Information"	
Weight (head unit)			1.3 kg (2.86 lb)	2.2 kg (4.85 lb)	3.9 kg (8.6 lb)

⁽¹⁾ Under reference conditions and constant temperature

⁽²⁾ The use of SAP-300 graphic displays is limited in hazardous environment. For further information, see "Ex Information."

⁽³⁾ In an industrial environment, reliable operation can be guaranteed with a terminal voltage > 13 V.

Ex INFORMATION

		H□□-7□□-8 Ex / H□□-9□□-8 Ex		H□□-7□□-6 Ex H□□-9□□-6 Ex	H□□-7□□-5 Ex H□□-9□□-5 Ex	H□□-7□□-9 Ex H□□-9□□-9 Ex
		Probe without coating	Coated probe			
Protection		Ex ia		Ex tD	Ex iaD	Ex ta D
Ex marking ⁽⁴⁾	ATEX	⊕ II 1 G Ex ia IIC T6...T3 Ga	⊕ II 1 G Ex ia IIB T6...T3 Ga	⊕ II 1/2 D Ex ta/tb IIIC T85°C...T180°C Da/Db	⊕ II 1 D Ex ia IIIC T85°C...T180°C Da	⊕ II 1D Ex ta IIIC T105°C Da
	IEC Ex ⁽⁵⁾	Ex ia IIC T6...T3 Ga	Ex ia IIB T6...T3 Ga	Ex ta/tb IIIC T85°C...T180°C Da/Db	Ex ia IIIC T85°C...T180°C Da	Ex ta IIIC T105°C Da
Intrinsic safety data		$C_i \leq 10$ nF, $L_i \leq 10$ μ H, $U_i \leq 30$ V, $I_i \leq 100$ mA, $P_i \leq 0.75$ W		$C_i \leq 10$ nF, $L_i \leq 10$ μ H, $U_i \leq 30$ V, $I_i \leq 140$ mA, $P_i \leq 1$ W		
Supply voltage		12 ⁽⁶⁾ ...30 V DC				
Electrical connection		2x M20x1.5 metal cable glands, cable outer diameter: $\varnothing 6... \varnothing 12$ mm (00.23...00.47"), wire cross section: maximum 1.5 mm ² (AWG16)				
Ambient temperature		-30...+65 °C (-22...+149 °F), with display: -20...+65 °C (-4...+149 °F)				

⁽⁴⁾ In IIC environment SAP-300 graphic display must not be used!

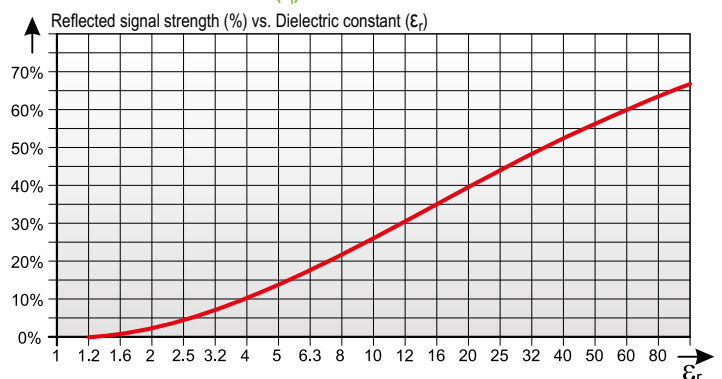
⁽⁶⁾ In an industrial environment, reliable operation can be guaranteed with a terminal voltage > 13 V.

⁽⁵⁾ IEC Ex compliance is optional; must be requested in the order.

MEASURABILITY OF THE MEDIUM

The measurability of the medium and the reflected signal strength depends on the relative dielectric constant (ϵ_r) of the medium.

Informative ϵ_r values			
Butane	1.4	Grain	3...5
Cement	1.5...10	Cooking oil	3.9
LPG	1.6...1.9	Limestone	6.1...9.1
Kerosene	1.8...2.1	Acetone	21
Crude oil	2.1	Ethanol	24
Diesel oil	2.1	Methanol	33.1
Gasoline	2.3	Glycol	37
Asphalt	2.6	Nitrobenzene	40
Clinker	2.7	Water	80
Resin	2.4...3.6	Sulphuric acid (T = +20 °C [+68 °F])	84



PROBES

Reliable measurement with microwaves depends on selecting the appropriate probes and taking the medium's properties and other vessel conditions into consideration.

Probe types	Max. measuring range	Dead zone ⁽¹⁾		Process connection	ϵ_r min.
		Upper (t) / lower (b) $\epsilon_r = 80$	Upper (t) / lower (b) $\epsilon_r = 2.4$		
Mono cable $\varnothing 4$ mm ($\varnothing 0.15$ "	30 m (98.5 ft)	250 mm / 20 mm (9.84" / 0.75")	350 mm / 100 mm (13.8" / 4")	1"; 1½"	2.1
Mono cable $\varnothing 8$ mm ($\varnothing 0.3$ "				1½"	
Mono rod $\varnothing 8$ mm ($\varnothing 0.3$ "	3 m (10 ft)		1"		
Mono / segmented rod $\varnothing 14$ mm ($\varnothing 0.55$ "	6 m (20 ft)			1½"	1.8
Twin cable $\varnothing 4$ mm ($\varnothing 0.15$ "	30 m (98.5 ft)	150 mm / 20 mm (6" / 0.75")	300 mm / 100 mm (12" / 4")		
Twin rod $\varnothing 8$ mm ($\varnothing 0.3$ "	3 m (10 ft)				
Coaxial pipe $\varnothing 28$ mm ($\varnothing 1.1$ "	6 m (20 ft)	0 mm / 10 mm (0" / 0.4")	0 mm / 100 mm (0" / 4")	1"; 1½"	1.4
Segmented coaxial pipe $\varnothing 14$ mm ($\varnothing 0.55$ "				1½"	1.6
Coated cable $\varnothing 6$ mm ($\varnothing 0.225$ "	30 m (98.5 ft)	250 mm / 20 mm (9.84" / 0.75")	350 mm / 100 mm (13.8" / 4")	1"; 1½" TriClamp; DN40 Milch, DN50	2.4
Coated cable $\varnothing 12 / 16$ mm ($\varnothing 0.45 / 0.65$ "	3 m (10 ft)			DN50	

⁽¹⁾The unmeasurable upper and lower part of the tank, the lower dead zone is extended with the length of the counterweight (cable versions only).

PROBE PROPERTIES

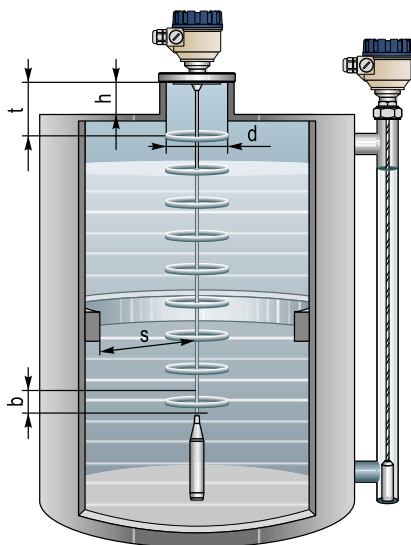
Type	HOK, HOL HOV, HOW	HOR, HOP	HOS, HOZ	HON, HOJ	HOT, HOU	HOD, HOE	HOA, HOB HOC, HOH
Probe	$\varnothing 4$ mm ($\varnothing 0.15$ " cable	Rod	Rod / segmented rod	$\varnothing 8$ mm ($\varnothing 0.3$ " cable	$\varnothing 4$ mm ($\varnothing 0.15$ " twin cable	Twin rod	Coaxial
Maximum measuring distance	30 m (98.5 ft)	3 m (10 ft)	6 m (20 ft)	30 m (98.5 ft)		3 m (10 ft)	6 m (20 ft)
Min. meas. dist. ($\epsilon_r = 80 / \epsilon_r = 2.4$)	250 mm / 350 mm (9.84" / 13.8")				150 mm / 300 mm (6" / 11.8")		0 m
Lowest ϵ_r of medium	2.1				1.8		1.4
Sensing space around the probe	$\varnothing 600$ mm (23.6")				$\varnothing 200$ mm (7.87")		$\varnothing 0$ mm
Process connection	1" BSP / NPT	1" BSP		½" BSP			1" BSP / NPT
	½" BSP / NPT	1" NPT		½" NPT			½" BSP / NPT
Probe material	1.4401	1.4571		1.4401		1.4571	
Probe nominal \varnothing	4 mm (0.15")	8 mm (0.3")	14 mm (0.55")	8 mm (0.3")	4 mm (0.15")	8 mm (0.3")	28 mm (1.1")
Weight	0.12 kg/m (0.08 lb/ft)	0.4 kg/m (0.25 lb/ft)	1.2 kg/m (0.8 lb/ft)	0.4 kg/m (0.25 lb/ft)	0.24 kg/m (0.16 lb/ft)	0.8 kg/m (0.5 lb/ft)	1.3 kg/m (0.85 lb/ft)
Separator material ⁽²⁾		-		PFA, welded on the cable		PTFE-GF25	PTFE
Dimensions							
Weight dimensions	$\varnothing 25 \times 100$ mm ($\varnothing 1 \times 4$ "	-		$\varnothing 40 \times 260$ mm ($\varnothing 1.5 \times 10$ "	$\varnothing 40 \times 80$ mm ($\varnothing 1.5 \times 3$ "	-	
Weight material	1.4571	-		1.4571		-	

⁽²⁾ There is no separator below 1.5 m (5 ft) length

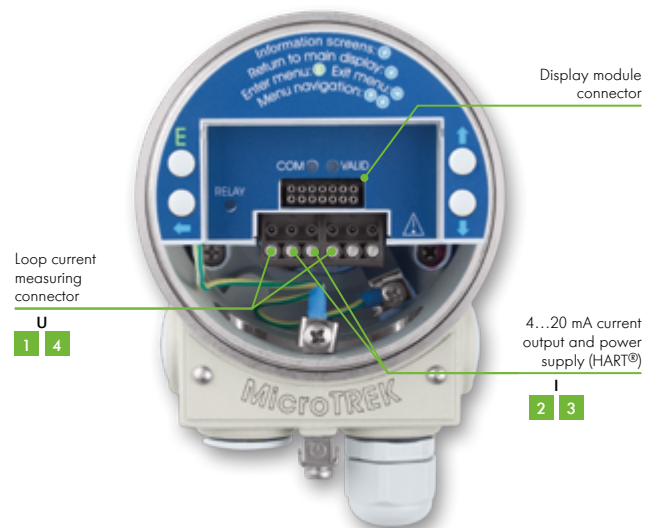
COATED PROBE PROPERTIES

Type	H0F, H0G	H0X	H0Y	H0M	H0Q	H0O	H0I					
Probe	Ø4 mm (Ø0.15") FEP-coated cable			Ø4 mm (Ø0.15") fully FEP/PFA-coated cable		Fully PFA-coated rod		Fully PP-coated rod				
Maximum measuring distance	30 m (98.5 ft)				3 m (10 ft)							
Min. measuring distance ($\epsilon_r = 80 / \epsilon_{r'} = 2.4$)	250 mm / 350 mm (9.84" / 13.8")											
Minimum ϵ_r of medium	2.1											
Minimal sensory distance from sensor	Ø600 mm (23.6")											
Process connection	1" BSP; 1" NPT	1½" TriClamp	DN40 Milch	DN50 PN25 flange		1½" TriClamp	DN50 PN25					
Highest medium temperature	+200 °C (+392 °F)			+150 °C (+302 °F)			+60 °C (+140 °F)					
Probe material	1.4401				1.4571							
Probe coating	FEP			FEP / PFA		PFA	PP					
Probe nominal Ø	6 mm (0.24")			12 mm (0.48")		16 mm (0.63")						
Fillet coating	-			PFA		PP						
Weight material	1.4571			1.4571 + PFA coating		-						
Weight dimensions	Ø25 x 100 mm (Ø1 x 4")			-		-						
Weight	0.16 kg/m (0.1 lb/ft)			0.5 kg/m (0.33 lb/ft)		0.6 kg/m (0.4 lb/ft)						
Dimensions												

INSTALLATION



WIRING



Except the plastic coated and the coax types the probes can be removed from the head unit by the user.

s = minimum distance from the internal disturbing objects. Objects that are parallel to probe do not disturb the measurement.

Mono Probe $s > 300$ mm (11.8") $h \leq d$

Twin Probe $s > 100$ mm (3.9") t = upper dead zone

Coaxial Probe $s = 0$ mm b = lower dead zone

SETUP, PROGRAMMING

with SAP-300 display unit

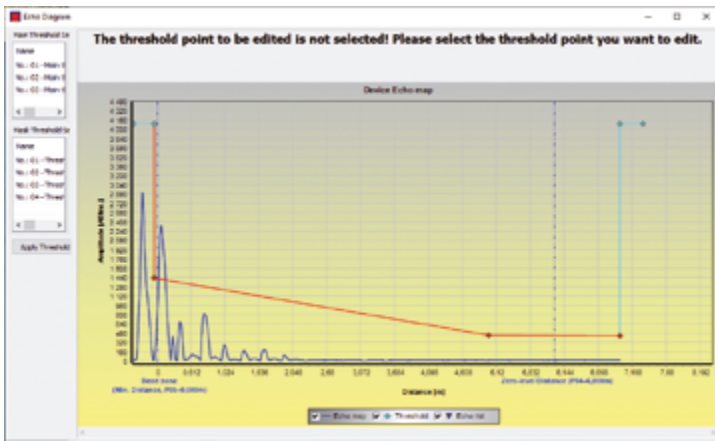
With the help of the SAP-300 plug-in display a simplified programming can be accomplished which covers most of the applications. The basic parameters of measurement and output can be set using the textbased menu system of the SAP-300. The large LCD dot-matrix display displays the measured values in numerical and bar graph form.



SAP-300 display

with EView2 software

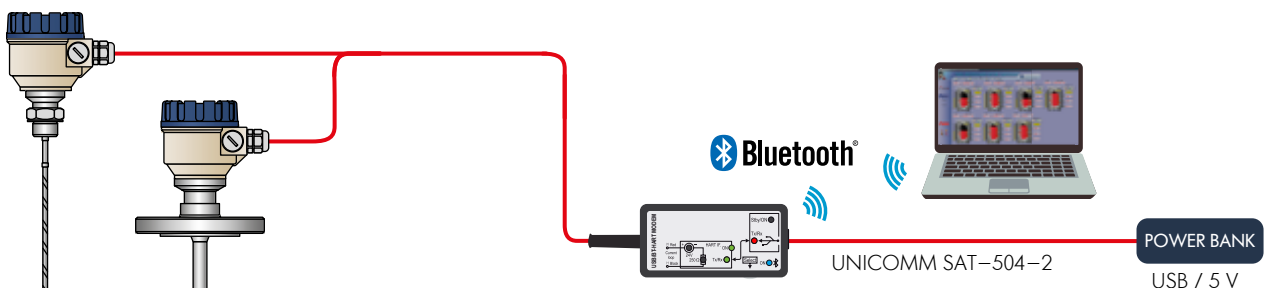
The EView2 configuration software can be downloaded free of charge. All usermodifiable parameters of the MicroTREK can be set and all values can be queried through EView2. Other features are: continuous "echo-map" reading, trend monitoring, data logging, data saving.



HQS / HQZ-700 / 800 with segmented probe

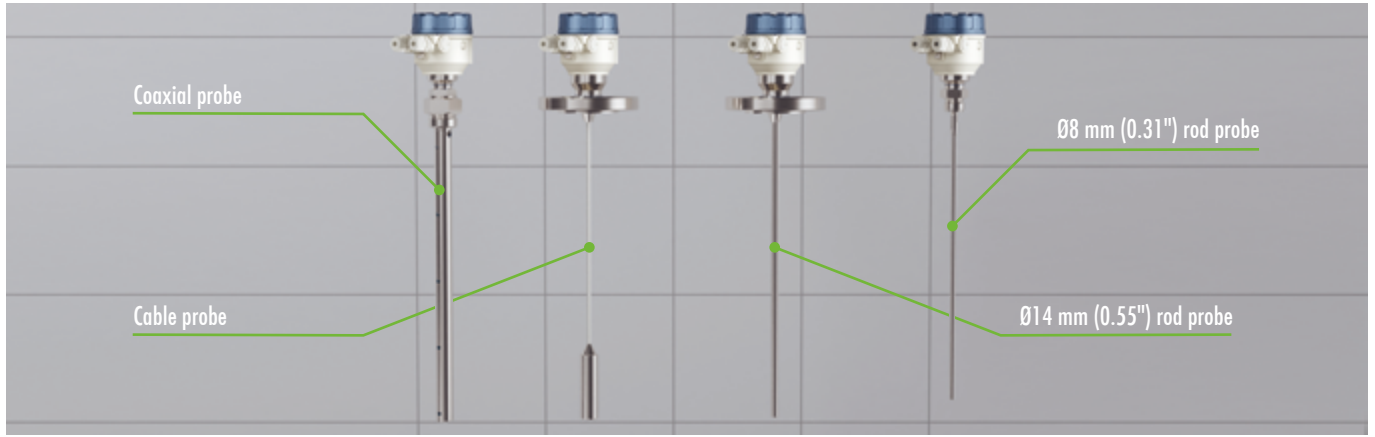
MicroTREK TRANSMITTERS IN SYSTEM WITH A PC

Instruments with HART® output can be connected to a PC interfaced by a UNICOMM HART®-USB modem, or can be connected wirelessly with the SAT-504 HART®-Bluetooth® modem. Max. 15 normal instruments can be connected to a single HART® loop. All measured values can be visualized and/or the instruments can be remote programmed via digital HART® communication. Applicable software: EView2 configuration software or NIVISION process visualization software.



MicroTREK TRANSMITTERS IN HART® MULTIDROP LOOP

The MultiCONT can handle a max. of 6 standard (or 2 Ex certified) HART® capable MicroTREK GWR transmitters. The digital (HART®) information is processed, displayed and if needed it can be transmitted via RS485 communication line to a PC. Remote programming of the transmitters is also possible. Visualization on PC can be accomplished with NIVISION process visualization software.



ORDER CODES (NOT ALL COMBINATIONS AVAILABLE)

MicroTREK H-700 – cable probe

MicroTREK H ■ ■ ■ ■ ■ ■ ■ ■ ■ ■ ⁽¹⁾

Type	Code	Probe / Process connection	Code	Code	Probe length ⁽⁶⁾	Code	Output / Ex	Code
Transmitter ⁽²⁾	T	Mono cable, Ø4 mm (Ø0.15"), 1.4401	1" BSP	K	0	0 m 0 m	–	4
High temperature transmitter ⁽³⁾	H		1" NPT	L	1	10 m 1 m	Ex ta/tb D	5
Transmitter + display ⁽²⁾	B		1½" BSP	V	2	20 m 2 m	Ex ia D	6
High temperature transmitter + display ⁽³⁾	P		1½" NPT	W	3	30 m 3 m	Ex ia G	8
			1½" TriClamp	I		4 m	Ex ta IIIC	9
			2" TriClamp	2		5 m	+ Relay	H
		Mono cable, Ø8 mm (0.31"), 1.4401	1½" BSP	N		6 m		
			1½" NPT	J		7 m		
		Twin cable, 2x Ø4 mm (Ø0.15"), 1.4401	1½" BSP	T		8 m		
			1½" NPT	U		9 m		
		Mono cable, Ø4 mm (Ø0.15"), FEP-coated ⁽⁵⁾	1" BSP	F				
			1" NPT	G				
			DN40 TriClamp	X				
		Mono cable, Ø4 mm (Ø0.15"), PFA/FEP fully coated / DN50, PN25, 1.4571 flange, PFA/FEP lining	DN40 Milch	Y				
				M				

Housing	Code
Aluminum	7
Plastic, PBT, fiberglass-reinforced ⁽⁴⁾	8
Stainless steel	9

Code	Probe length ⁽⁶⁾	Code
0	0 m 0 m	0
1	10 m 1 m	1
2	20 m 2 m	2
3	30 m 3 m	3

Output / Ex	Code
–	4
Ex ta/tb D	5
Ex ia D	6
Ex ia G	8
Ex ta IIIC	9
+ Relay	H

⁽¹⁾ The order code of an Ex version should end in "Ex".
⁽²⁾ Flange temperature max. +90 °C (+194 °F).
⁽³⁾ Flange temp. max. +200 °C (+392 °F) (M type only up to +150 °C [+302 °F]).
⁽⁴⁾ Ex version not available.
⁽⁵⁾ Only the cable probe is coated.
⁽⁶⁾ Max. 30 m (98.5 ft) probe length.

MicroTREK H-700 – with Ø8 mm (0.31") rod probe

MicroTREK H ■ ■ ■ ■ ■ ■ ■ ■ ■ ■ ⁽¹⁾

Type	Code	Probe / Process connection	Code	Code	Probe length ⁽⁶⁾	Code	Output / Ex	Code
Transmitter ⁽²⁾	T	Mono rod, Ø8 mm (0.31") 1.4571	1" BSP	R	0	0 m 0 m	–	4
High-temperature transmitter ⁽³⁾	H		1" NPT	P	1	1 m 0.1 m	Ex ta/tb D	5
Transmitter + display ⁽²⁾	B		1½" TriClamp	3	2	2 m 0.2 m	Ex ia D	6
High-temperature transmitter + display ⁽³⁾	P	Twin rod, 1.4571	1½" BSP	D	3	3 m 0.3 m	Ex ia G	8
			1½" NPT	E	4	4 m 0.4 m	Ex ta IIIC	9
		Mono rod PFA-coated	1½" TriClamp PFA-coated	O	5	5 m 0.5 m	+ Relay	H
			DN50, PN25, 1.4571 flange, PFA lining	Q	6	6 m 0.6 m		
				I		7 m		
		Mono rod PP-coated / DN50, PN25, 1.4571 flange, PP lining ⁽⁵⁾				8 m		
						0.8 m		
						0.9 m		

Housing	Code
Aluminum	7
Plastic, PBT, fiberglass-reinforced ⁽⁴⁾	8
Stainless steel	9

Code	Probe length ⁽⁶⁾	Code
0	0 m 0 m	0
1	1 m 0.1 m	1
2	2 m 0.2 m	2
3	3 m 0.3 m	3
4	4 m 0.4 m	4
5	5 m 0.5 m	5
6	6 m 0.6 m	6

Output / Ex	Code
–	4
Ex ta/tb D	5
Ex ia D	6
Ex ia G	8
Ex ta IIIC	9
+ Relay	H

⁽¹⁾ The order code of an Ex version should end in "Ex".
⁽²⁾ Flange temperature max. +90 °C (+194 °F).
⁽³⁾ Flange temp. max. +200 °C (+392 °F) (up to +150 °C [+302 °F] with plastic-coated probes)
⁽⁴⁾ Ex version not available.
⁽⁵⁾ High-temperature version not available.
⁽⁶⁾ Max. 3 m (10 ft) probe length.

MicroTREK H-700 – Ø14 mm rod (0.55") or coaxial probe

MicroTREK H-□-□-□-□-□-□-□⁽¹⁾

Type	Code
Transmitter ⁽²⁾	T
High-temperature transmitter ⁽³⁾	H
Transmitter + display ⁽²⁾	B
High-temperature transmitter + display ⁽³⁾	P

Housing	Code
Aluminum	7
Plastic, PBT, fiberglass-reinforced ⁽⁴⁾	8
Stainless steel	9

Probe / Process connection	Code
Mono rod ⁽⁵⁾ , Ø14 mm (0.55"), 1.4571	1½" BSP S
	1½" NPT Z
	2" TriClamp 4
Coaxial probe ⁽⁵⁾ , 1.4571	1" BSP A
	1" NPT B
	1½" BSP C
	1½" NPT H
	1½" TriClamp 5
	2" TriClamp 6

Code	Probe length ⁽⁶⁾	Code
0	0 m 0 m	0
1	1 m 0.1 m	1
2	2 m 0.2 m	2
3	3 m 0.3 m	3
4	4 m 0.4 m	4
5	5 m 0.5 m	5
6	6 m 0.6 m	6
	0.7 m	7
	0.8 m	8
	0.9 m	9

Output / Ex	Code
4...20 mA + HART®	- 4
	Ex ta/tb D 5
	Ex ia D 6
	Ex ia G 8
	Ex ta IIIC 9
	+ Relay H

- ⁽¹⁾ The order code of an Ex version should end in "Ex".
⁽²⁾ Flange temperature max. +90 °C (+194 °F).
⁽³⁾ Flange temperature max. +200 °C (+392 °F).
⁽⁴⁾ Ex version not available.
⁽⁵⁾ Can be ordered with segmented probe which must be specified in the text of the order. The length of the probe section is 1 m (3.3 ft).
⁽⁶⁾ Max. 6 m (20 ft) probe length.

ACCESSORIES

Plug-in graphical display module	SAP-300-0
HART®-USB modem for remote programming with PC	UNICOMM SAT-304-0
HART®-USB/RS485 modem for remote programming with PC, DIN rail mountable	UNICOMM SAK-305-□
HART®-USB/Bluetooth® modem for remote programming	UNICOMM SAT-504-□
Multichannel process controller and display unit	MultiCONT PRW-2□□-□
24 V DC power supply, DIN rail mountable	NIPOWER PPK-431-□
Intrinsically safe isolator module, DIN rail mountable	UNICONT PGK-301-□ Ex
EView2 configuration software for remote programming with PC	FREE download



MFT-601

PROCESS CONNECTIONS⁽⁷⁾

DIN and ANSI flanges	MFT-□□□-□
DN40 Pipe coupling (DIN 11851)	
EPDM FFKM seals	

⁽⁷⁾ The above process connections and special seals are ordered separately and must be specified in the text part of the order



HPA-726

